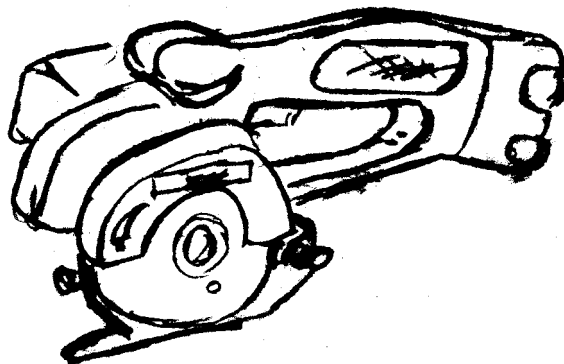


THE EASTMAN[®] **Bat** Model BAT

Instructions & Illustrated Parts List



Your new Bat is designed to replace hand held shears for increased performance and capacity with a minimum of maintenance and service. Equipped with a 4" high speed round blade, the Bat will cut even the most difficult to cut fabric.

TO OPERATE MACHINE

Raise the knife guard up just enough to allow the fabric in over the pressure foot and make contact with the blade. Press and hold button to activate ON/OFF switch. If cutter does not perform properly check battery packs. Be sure the battery packs are properly charged and installed.

TO SHARPEN KNIFE

Take the machine out of material to be cut. To obtain a fine, keen edge on the blade, while machine is running press lightly on sharpener button (63C3-21) with a constant pressure. Hold for 10 seconds, then release.

⚠ WARNING

Before performing any of the following procedures, make sure the battery power pack has been removed.

LUBRICATION

Follow this procedure yearly for intermittent use, or every six months for continuous use. Remove emery wheel (541C1-22) and wipe away any grit deposits. Apply a light coat of Eastman Lubriko Grease (242C2) to parts and reassemble.

⚠ WARNING

Safety glasses must be worn at all times when operating or servicing this equipment.

KNIFE REPLACEMENT

Remove battery pack from Bat. Lay Bat on its side with knife facing up. Insert a pin or allen wrench into knife hole. With Spanner Wrench (954C1-12), turn lock nut (4C1-81) counterclockwise. Remove lock nut. CAREFULLY lift out WORN SHARP KNIFE and DISCARD WITH CARE. Install new Eastman knife with bevel facing outward. Reverse procedure to secure new knife.

EMERY WHEEL REPLACEMENT

Remove battery pack from Bat. With Bat on its side (knife facing up). Remove knife lock nut and knife. Hold sharpener bushing (21C5-4) with suitable wrench. Remove sharpener button (63C3-21) and spring. Sharpener stone and bushing assembly can then be removed from sharpener bracket (663C1-3). Remove retaining ring from shaft of sharpening stone and remove stone. To Install, assemble in reverse order.

OPTIONAL BALL TIP

A ball tip (109C5-1) for cutting loosely woven materials, additional support and cutting accuracy is optional. To install ball tip to shear plate (726C1-36) gently push ball tip in place as illustrated.



Bat Illustrated Parts List

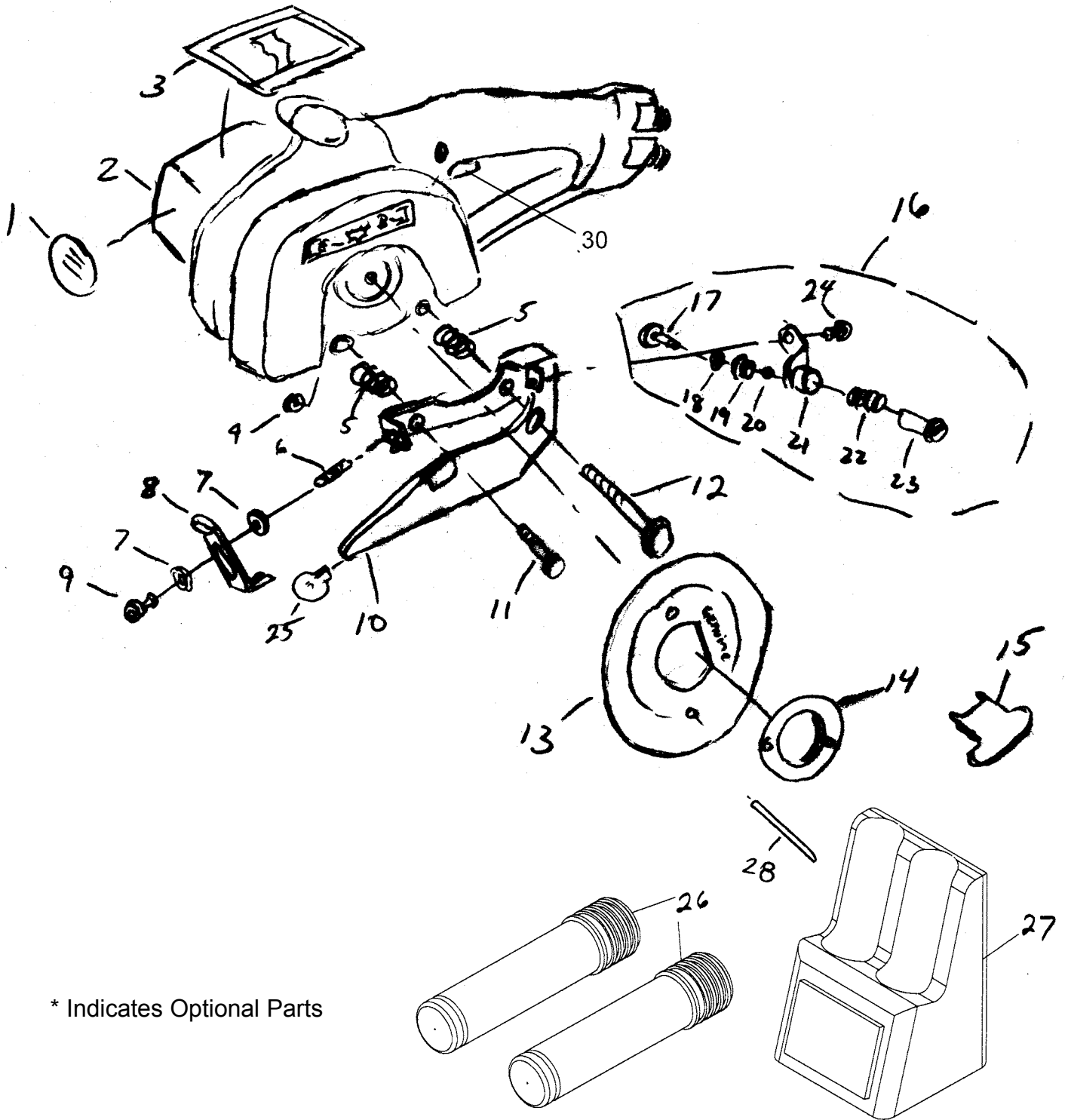
ITEM	PART NO.	DESCRIPTION	QTY.	ITEM	PART NO.	DESCRIPTION	QTY.
1	79C2-61	Caution Decal	1	18	12C15-57	Spring Washer	1
2	632C1-14	Motor & Housing	1	19	21C5-4	Sharpener Bushing	1
3	236C1-166	Bat Decal	1	20	18C6-23	Retaining Ring	1
4	206-34	Jam Hex Nut, 1/4-20	2	21	636C1-3	Sharpener Bracket	1
5	CH-107	Spring	2	22	34C10-131	Sharpener Spring	1
6	20C13-56	Setscrew, #6-32 x 3/4	1	23	63C3-21	Sharpener Button	1
7	12C15-95	Flat Washer, #6	2	24	300C12-2	Screw, #8-32 x 1/4	1
8	25C4-146	Knife Guard	1	*25	109C5-1	Ball Point	1
9	20C5-21	Thumb Nut, Guard	1	26	287C1-3	Battery, 3.6 Volt, Gold	2
10	726C1-36	Shear Foot Assembly	1	27	288C1-2	Battery Charger, 110v	1
11	331-34-34	Hex Bolt, 1/4-20 x 2.25	1	*	288C3-3	Battery Charger, 220v-2 prong	1
12	331-34-34	Hex Bolt, 1/4-20 x 2.25	1	*	288C3-4	Battery Charger, 220v-3 prong	1
13	80C1-59 1	Knife, Round	1	*28	109C5-1	Ball Point	1
*	80C1-59 2	Knife, Round, High Speed	1	29	17C11-1	Knife Removal Pin	1
14	4C1-81	Lock Nut	1	30	580C1-227	Switch, Main Power	1
15	95C5-12	Spanner Wrench	1				
16	637C1-12	Sharpener Assembly	1				
17	541C1-22	Sharpening Stone	1				

* Indicates Optional Items

From the library of: Diamond Needle Corp

Limited Warranty. Eastman warrants to the buyer that the Bat shall be free from defects in materials or workmanship for a period of 90 days commencing on the date of invoice. Any goods or parts claimed by the buyer to be defective must be returned to Eastman, freight charges prepaid, within the 90-day warranty period. If Eastman determines that the goods or parts are defective in materials or workmanship, Eastman's sole obligation under this warranty shall be, at Eastman's sole option, to repair or replace the defective goods or parts or to provide to the buyer a credit equal to the portion of the purchase price allocable to the defective goods or parts. This warranty shall not apply if defects are caused by product misuse or neglect, if the machine has been altered or modified by the buyer, or if other than genuine Eastman belts, emery wheels, knives or parts are used in the machine. THIS WARRANTY IS THE ONLY WARRANTY APPLICABLE TO THIS PURCHASE. SELLER DISCLAIMS ALL OTHER WARRANTIES, EXPRESS OR IMPLIED, INCLUDING, BUT NOT LIMITED TO, THE IMPLIED WARRANTIES OF MERCHANTABILITY AND FITNESS FOR A PARTICULAR PURPOSE.

Limitation of Liability. Eastman's liability to the buyer, and the buyer's remedies from Eastman, whether in contract, negligence, tort, under any warranty or otherwise, shall be limited to the remedies provided in the foregoing Limited Warranty. In no event shall Eastman have any responsibility or liability to the buyer for (a) any special, indirect, incidental, or consequential damages, including, but not limited to, loss of use, revenue, or profit, even if Eastman has been advised of the possibility of such damages, or (b) any claim against the buyer by any third party. The price stated for the product sold is a consideration for limiting Eastman's liability.



* Indicates Optional Parts

To order replacement parts call Customer Service at (716) 856-2200. Please specify model and serial number of machine along with part number, description and quantity of parts in order.



From the library of: Diamond Needle Corp

3.6 Volt Versa-Pak Batteries and Chargers

This instruction manual covers the VP130 two-port chargers and VP100 batteries. Note: VP100 batteries are NiCd cells. See charging instructions below:

⚠ Important Safety Instructions (For Battery and Charger)

⚠ WARNING: When using electric tools, basic safety precautions should always be followed to reduce the risk of fire, electric shock, and personal injury, including the following:

READ ALL INSTRUCTIONS

- Do not store -or- carry battery such that metal objects can contact exposed metal end. For example, do not place battery in aprons, tool boxes, pockets, drawers, desk, etc... with loose nails, screws, keys, etc...without battery cap. Battery could short circuit causing fire, burns, or damage to the battery.
- Battery caps are provided for use when carrying batteries -or- while battery is stored in a pocket, tool box, drawer, etc... Remove cap before placing battery in charger -or- tool.
- Never attempt to open the battery for any reason. If the housing of the battery breaks -or- cracks, immediately discontinue use and do not recharge.
- Do not incinerate the batteries as they can explode in a fire. A small leakage of liquid from the battery cells may occur under extreme usage, charging, or temperature conditions. This does not indicate a failure. However, if the outer seal is broken and this leakage contacts your skin:
 - a.) Wash quickly with soap and water;
 - b.) Neutralize with a mild acid such as vinegar -or- lemon juice.
 - c.) If the battery liquid gets in your eyes, flush them with clean water for a minimum of ten (10) minutes and seek immediate medical attention.
- **Medical Note:** The liquid is a 25-35% solution of potassium hydroxide.
- Charge batteries only with Versa-Pak battery charger.
- Do not use charger in wet -or- damp conditions. It is intended for indoor use only. Do not use near sinks, tubs, etc... Do not immerse in water.
- Do not use the charger for any uses other than charging Versa-Pak batteries. Other batteries may explode.
- Do not operate charger with a damaged cord -or- plug...have them replaced immediately.
- Do not operate charger if it has received a sharp blow, been dropped, or otherwise damaged in anyway; contact your qualified Eastman representative for service.
- Do not disassemble charger; contact your qualified Eastman representative when service -or- repair is required. Incorrect assembly may result in risk of electric shock -or- fire. There are no consumer serviceable parts inside.
- For best results, do not charge batteries when they -or- the air temperature is BELOW +40 degrees Fahrenheit -or- ABOVE +105 degrees Fahrenheit.
- The charger is designed to operate on standard household electrical power. Do not attempt to use it on any other voltage. Be sure your power supply agrees with the nameplate marking.
- Unplug charger when not in use.

- Do not abuse charger cord. To reduce the risk of damage to the electric plug and cord, never carry charger by cord -or- sharply pull it to disconnect from receptacle. Keep charger cord from heat, oil, and sharp edges.
- Use only charger supplied by Eastman to recharge.

Important Charging Notes:

- While charging, the charger transformer may hum with the batteries and charger becoming warm. This is a normal condition and does not indicate a problem.
- If a battery does not charge properly – 1.) Check current at receptacle by plugging in a lamp -or- other appliance; 2.) Check to see if receptacle is connected to a light switch that turns power off when you turn out the lights; 3.) Move charger and batteries to a surrounding air temperature between +40 to +105 degrees Fahrenheit; 4.) If the receptacle and temperature are satisfactory, and you do not get proper charging, take -or- send the batteries and charger to your local Eastman representative for service.
- The batteries should be recharged when they fail to produce sufficient power on jobs that were easily performed previously. DO NOT CONTINUE to use the machine with its batteries in a depleted condition.

SAVE THESE INSTRUCTIONS

Charging Procedure (VP130 Two Port Charger plugs directly into the Wall Outlet)

Insert the metal end of the Versa-Pak battery into the charger. The indicator light will glow indicating that charging is taking place and will remain on as long as the battery is in the charger. Continuous charging is not a safety concern.

NOTE: Your Versa-Pak batteries are sent in an uncharged condition. Before attempting to use them for the first time, they must be charged for 6 hours for conventional NiCd batteries (silver label) and 9 hours for NiMH batteries (gold label). Subsequent charging will require 3-6 hours for silver labeled and 6-9 hours for gold-labeled batteries.

The RBRC Seal

The RBRC (Rechargeable Battery Recycling Corporation) Seal on the NiCd battery (or battery pack) indicates that costs to recycle the battery (or battery pack) at the end of its useful life have already been paid. In some areas, it is illegal to place spent NiCd batteries in the trash -or- municipal solid waste streams. The RBRC program provides an environmentally conscious alternative.

RBRC in cooperation with other battery users, has established programs in the United States and Canada to facilitate the collection of spent NiCd batteries. Help protect our environment and conserve natural resources by returning the spent NiCd battery to your local recycling center. You may also contact your local recycling center for information on where to drop off the spent battery, or call 1-800-8-Battery.



779 Washington St., Buffalo, N.Y. 14203-1396 U.S.A. • (716)856-2200 • Fax (716)856-1140 or (716)856-2068
Manufacturers of Eastman Cloth Cutting and Cloth Spreading Machines
Website: WWW.EastmanCuts.com